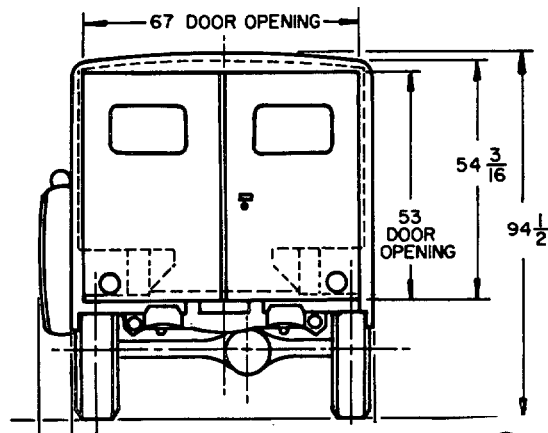
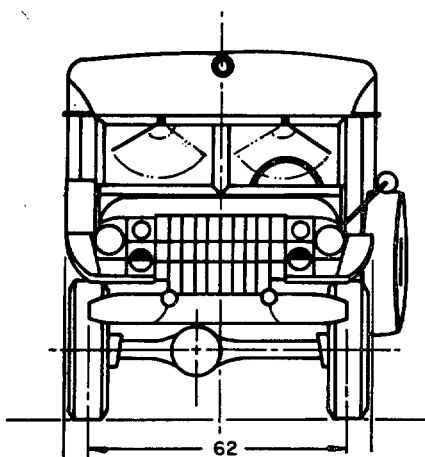
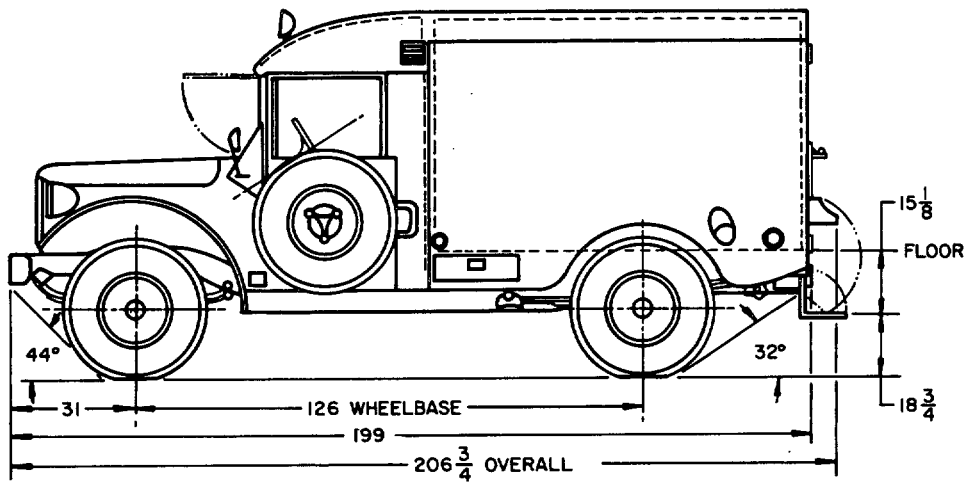


REVIEW ACTIVITIES: ARMY—MD;
USER ACTIVITIES: NAVY—YD



**(A) CANCELLED AFTER 1 DECEMBER 1982.
NO SUPERSEDING STANDARD.**

DIMEN
SHOWN FOR ENGINEERING REFERENCE ONLY.

MS PART NO	ENGINEERING PARTS LIST
MS500 009-1	8736205

P.A. ARMY-AT Other Cust NAVY—MC AF- 99	TITLE TRUCK, AMBULANCE, 3/4 TON, 4X4, 126 IN. WHEEL BASE, M43BI	MILITARY STANDARD MS 500 009
PROCUREMENT SPECIFICATION MIL-T-10204	SUPERSEDES:	SHEET 1 OF 2

This military standard has been approved by the Department of Defense and is mandatory for use by all Departments and Agencies of the Department of Defense. Selection for all new engineering and design applications and for repetitive use shall be made from this document.

APPROVED 18 OCTOBER 1965 REVISED (A) 1 DEC 82